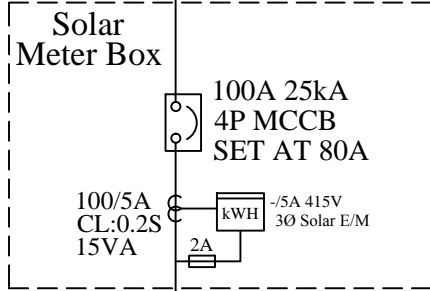
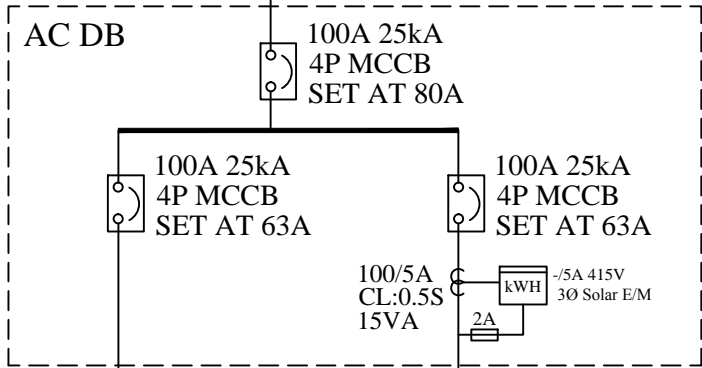


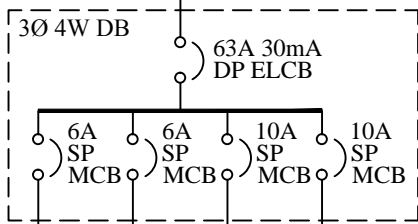
3Ø 415V SUPPLY FROM KSEB



3.5x35Sq.mm AL. Cable



3.5x35Sq.mm AL. Cable

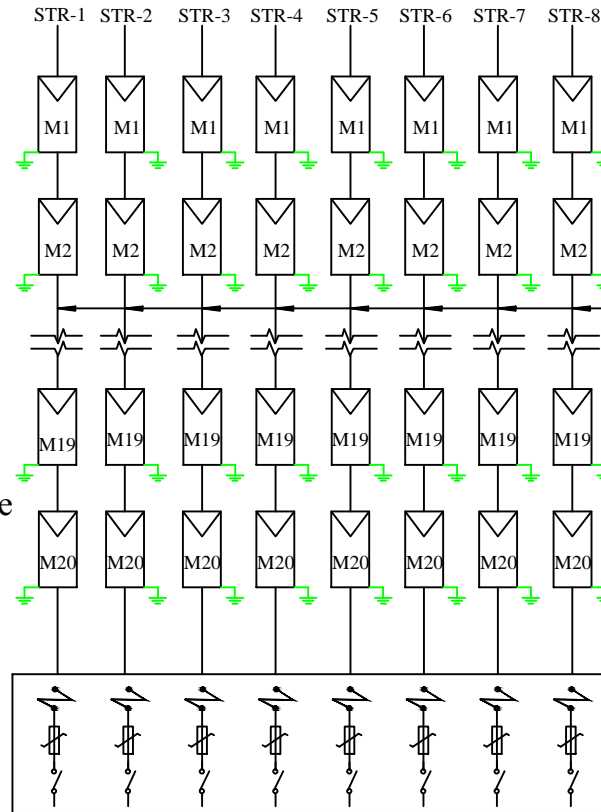


Consumer Loads

Lockable enclosure

4Cx35Sq.mm AL. Cable

40kW_p



SOLAR PANELS,
160Nos.250WP
CONNECTED 20 IN
SERIES & 8 STRING

2Rx1Cx4SQ.MM 1.1kV
SOLAR DC Cu.CABLE
UV RATED

DC Jn. Box & DC Switch
(10A PV Fuse,MOV,DC Switch)

2Rx1Cx4SQ.MM 1.1kV
SOLAR DC Cu.CABLE
UV RATED

3Ø,415V,40kW
STRING INVERTER